

SAVE THESE INSTRUCTIONS

NOTE: Check all parts for shipping damage before using. In case of damage, do not use. Contact the dealer for further instructions.

SAFETY SUMMARY

The following recommendations are made for safe installation and use of the Silhouette Lateral Lock-out Kit:

GENERAL WARNINGS

DO NOT install this equipment without first reading and understanding this instruction sheet. If you are unable to understand these Warnings, Cautions and Instructions, contact a healthcare professional, dealer or technical personnel if applicable before attempting to install this equipment - otherwise, injury or damage may occur.

Your therapist and physician should be consulted if you have any questions regarding individual limitations and needs.

DESCRIPTION

The lateral lock-out kit is used in environments where it is not desirable to be able to quickly remove the lateral pads.

INSTALLING/REMOVING LATERAL LOCK-OUT KIT (FIGURE 1)

Installing

1. Place the lateral pad in the mounting bracket and adjust if necessary. Refer to the Silhouette Owner's Manual part number 1080355 for installation/adjustment instructions.
2. Take the O-ring and push it over the quick-release button on the lateral mounting bracket so that the O-ring fits entirely in the groove between the bracket and the button.

Removing

1. To restore the quick-release functionality to the Silhouette® lateral, remove the O-ring with tweezers or a paperclip.

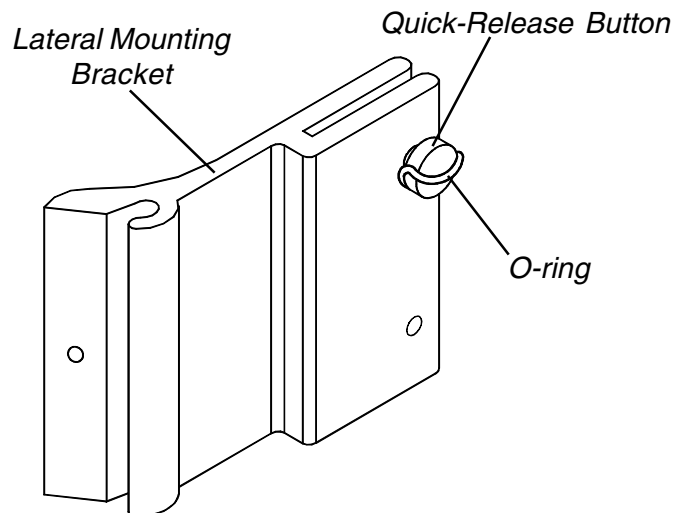


FIGURE 1 - INSTALLING/REMOVING LATERAL LOCK-OUT KIT

Invacare Corporation www.invacare.com



USA
One Invacare Way
Elyria, Ohio USA
44036-2125
800-333-6900

Canada
5970 Chedworth Way
Mississauga, Ontario
L5R 3T9, Canada
800-668-5324

Invacare is a registered trademark of Invacare Corporation.
© 1999 Invacare Corporation

Form No. 99-112 Part No. 0900103 Rev (2) 11/99